



US007204398B1

(12) **United States Patent**
Smith, Sr.

(10) **Patent No.:** **US 7,204,398 B1**
(45) **Date of Patent:** **Apr. 17, 2007**

(54) **MULTI-PURPOSE WALLET/CELLULAR TELEPHONE CASE**

(76) **Inventor:** **Albert L. Smith, Sr.**, 412 E. 4th St., Eloy, AZ (US) 85231

(*) **Notice:** Subject to any disclaimer, the term of this patent is extended or adjusted under 35 U.S.C. 154(b) by 510 days.

(21) **Appl. No.:** 10/753,652

(22) **Filed:** **Jan. 8, 2004**

Related U.S. Application Data

(60) Provisional application No. 60/439,112, filed on Jan. 10, 2003.

(51) **Int. Cl.**
A45F 3/02 (2006.01)

(52) **U.S. Cl.** 224/607; 224/600; 224/929; 150/144; 150/131

(58) **Field of Classification Search** 150/106-108, 150/112, 114, 131, 136, 137, 139, 145, 147, 150/150, 144; D3/247, 250, 251, 253; 224/607, 224/257, 575-577, 262, 265, 192, 196, 623, 224/682; 206/38.1; 24/3.4; 40/661.06, 40/586, 644

See application file for complete search history.

(56) **References Cited**

U.S. PATENT DOCUMENTS

840,661 A *	1/1907	Rood	150/139
1,758,297 A *	5/1930	Stanley	206/38.1
2,446,009 A *	7/1948	Hyman	150/139
2,511,533 A *	6/1950	Hyman	150/139
2,582,447 A *	1/1952	Meyers	150/117
3,354,925 A *	11/1967	Doppelt	150/108
4,209,048 A *	6/1980	Sandos	150/132
4,570,688 A	2/1986	Williams	

4,744,497 A	5/1988	O'Neal	
5,002,401 A *	3/1991	Blackman	383/38
5,230,627 A *	7/1993	Todd	150/135
5,244,135 A	9/1993	Nelson	
5,513,789 A *	5/1996	Woods et al.	224/572
D380,606 S *	7/1997	Chen	D3/226
5,743,449 A	4/1998	McBride	
5,829,657 A	11/1998	Romer, Jr.	
2001/0027834 A1 *	10/2001	Southwick	150/112
2001/0054245 A1	12/2001	Williams	
2002/0043545 A1	4/2002	Tang	

OTHER PUBLICATIONS

USA Today Newspaper; Friday, Sep. 27, 2002 Article entitled "ID Holders that can Hang in There".

* cited by examiner

Primary Examiner—Nathan J. Newhouse

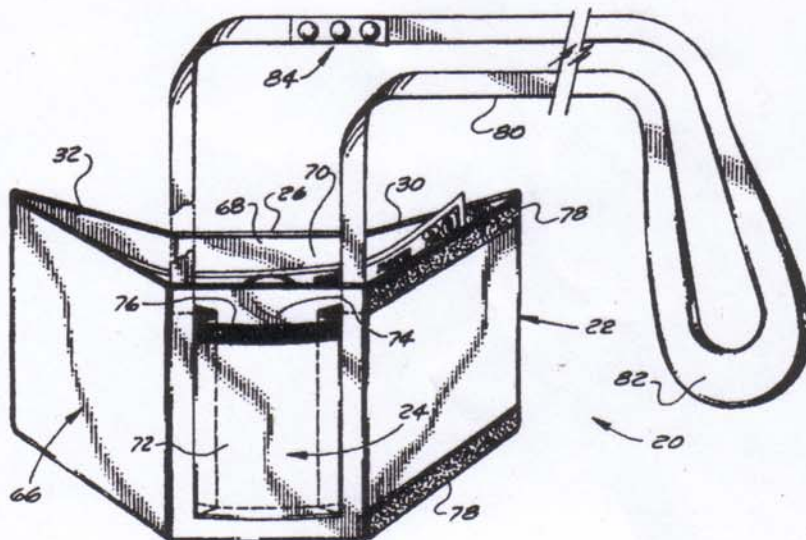
Assistant Examiner—Margaret Olson

(74) *Attorney, Agent, or Firm*—John D. Lister

(57) **ABSTRACT**

A multi-purpose wallet/cellular telephone case includes a multi-sectional wallet unit having a central section and first, second, and third foldout sections that are integral with the central section. At least two of these sections are compartment sections. The first, second, and third foldout sections are hingedly connected to the central section whereby the foldout sections can be pivoted from first positions overlaying the central section to second extended positions for gaining access to an interior of the case. The central, second and third sections have a common flexible back panel secured thereto that forms a pocket with the sections for holding paper currency. An external pocket is located on the flexible back panel of the case for holding a cellular telephone. A releasable fastener releasably holds the first, second, and third sections in their first positions and the case may include a strap.

3 Claims, 2 Drawing Sheets



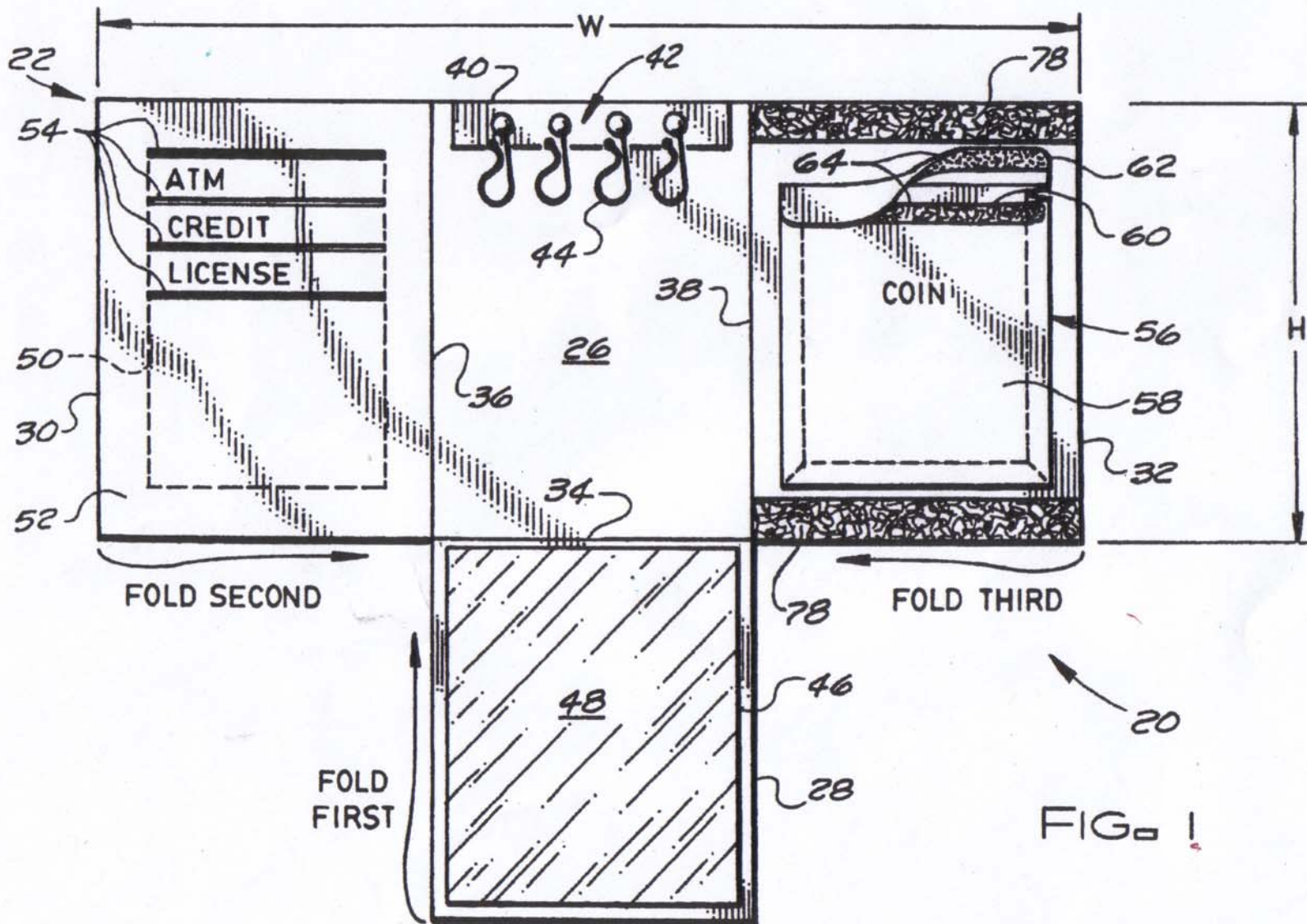


FIG. 1

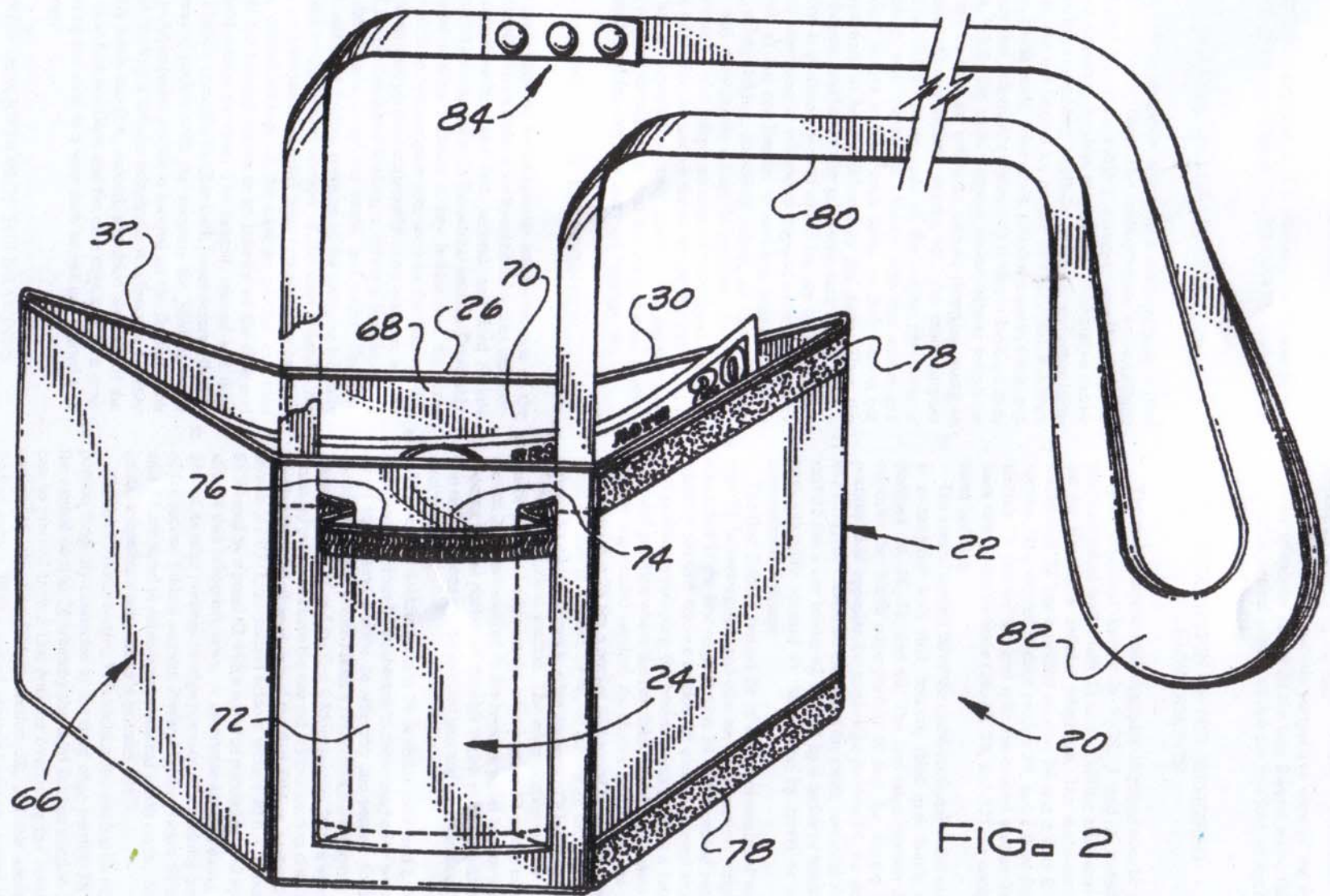


FIG. 2