



US006651992B1

(12) **United States Patent**  
**Smith, Sr.**

(10) **Patent No.:** **US 6,651,992 B1**

(45) **Date of Patent:** **Nov. 25, 2003**

(54) **CONTAINER WITH INTEGRAL DOLLY**

(76) **Inventor:** **Albert Lee Smith, Sr., 412 E 4th St.,  
P.O. Box 125, Eloy, AZ (US) 85231**

(\*) **Notice:** Subject to any disclaimer, the term of this patent is extended or adjusted under 35 U.S.C. 154(b) by 23 days.

(21) **Appl. No.:** **09/968,369**

(22) **Filed:** **Sep. 30, 2001**

**Related U.S. Application Data**

(60) **Provisional application No. 60/237,405, filed on Oct. 2, 2000.**

(51) **Int. Cl.<sup>7</sup>** ..... **B62B 1/12**

(52) **U.S. Cl.** ..... **280/47.26; 280/47.315;  
280/655.1; 16/113.1**

(58) **Field of Search** ..... **280/47.26, 43.1,  
280/655, 655.1, 47.131, 47.315, 47.371,  
79.5, 47.31; 16/113.1, 429; 220/908**

(56) **References Cited**

**U.S. PATENT DOCUMENTS**

2,409,786	A	*	10/1946	Norton	280/47.26
2,572,486	A	*	10/1951	Isaac	280/47.26
3,366,397	A	*	1/1968	Zeilstra et al.	280/47.26
4,135,725	A	*	1/1979	DiRoma	280/47.26
D256,423	S		8/1980	BacsKay et al.	
4,450,976	A		5/1984	Snyder et al.	
4,503,661	A	*	3/1985	Potter	280/47.26
4,520,921	A	*	6/1985	Vissing	220/306
4,586,399	A	*	5/1986	Kassai	16/113.1
4,674,759	A		6/1987	Parker	
4,691,840	A		9/1987	Ferbrache	
4,759,559	A		7/1988	Moulton	

4,807,916	A	*	2/1989	Erickson	280/47.26
4,953,744	A	*	9/1990	Koyama	220/404
5,000,467	A		3/1991	Becca	
D318,351	S		7/1991	Wilson	
D320,103	S		9/1991	Wilson	
5,445,398	A	*	8/1995	Pierce	280/47.26
5,465,844	A		11/1995	Lee	
5,511,807	A		4/1996	Snyder	
5,625,923	A	*	5/1997	Huang	16/115
5,636,410	A	*	6/1997	Chou	16/115
5,704,725	A	*	1/1998	Horing	280/655
5,758,888	A		6/1998	Burgan et al.	
6,036,204	A	*	3/2000	Craft et al.	280/47.26
6,056,301	A	*	5/2000	Berliner et al.	280/47.26
6,148,477	A	*	11/2000	Cheng	16/113.1
6,223,392	B1	*	5/2001	Chang	16/113.1

\* cited by examiner

*Primary Examiner*—Brian L. Johnson

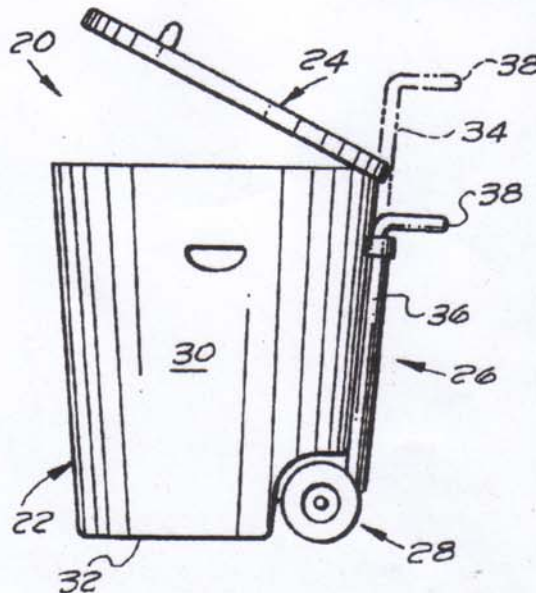
*Assistant Examiner*—Jeffrey Restifo

(74) *Attorney, Agent, or Firm*—John D. Lister

(57) **ABSTRACT**

A container with an integral dolly includes a container body with a tubular upstanding sidewall that is closed at the bottom and open at the top. A cover, which overlies the open top, can be moved to uncover the opening and gain access to the interior of the container. A vertically extending telescoping handle, that can be adjusted and locked in position at selected heights, is located on the back of the container body for manipulating and moving the container. A pair of wheels is mounted on the lower end and at the back of the container body whereby, when the container body is tilted backwards by the telescoping handle, the container can be wheeled about on the pair of wheels.

**3 Claims, 6 Drawing Sheets**



**Patent #6,651,992B1**  
**November 25, 2003**

This plastic trashcan dolly is extremely versatile. This is the only trash can that is available with an adjustable telescoping handle to accommodate all size trash cans, such as the 13-gallon, the 26-gallon, the 32-gallon or any other size needed.

- 13 gallons: for home, office or kitchen
- 26 gallons: for carport, garage
- 32 gallons: for outdoors, backyard
- The Trashcan Dolly could also be used as a clothes hamper or laundry basket
- The 13-gallon for small children
- The 26- or 32-gallon clothing hamper for teens and adults.
- You can store it in closets or bathrooms. Not only can it be used for trash, a clothing hamper, or a shopping cart, but also a heavy duty model could be produced to hold a number of items including power tools, hammers, nails, or other equipment for housing construction sites.
- It can also be used to carry or store firewood or similar items.

